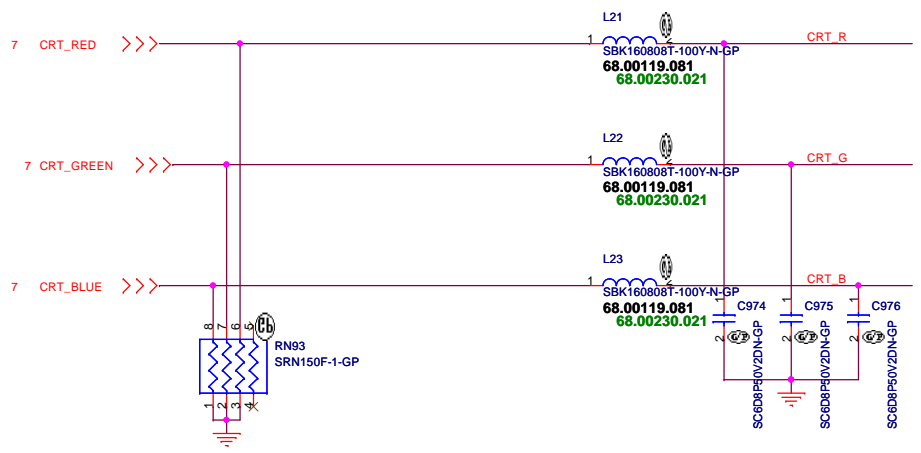


DIS CRT

緯創資通		Wistron Corporation	
21F, 88, Sec.1, Hsin Tai Wu Rd., Hsichih, Taipei Hsien 221, Taiwan, R.O.C.			
Title		USB CONN	
Size	Document Number	JM41 DIS CRT BD	
Date: Tuesday, March 10, 2009	Sheet 1 of 8	Rev	SA

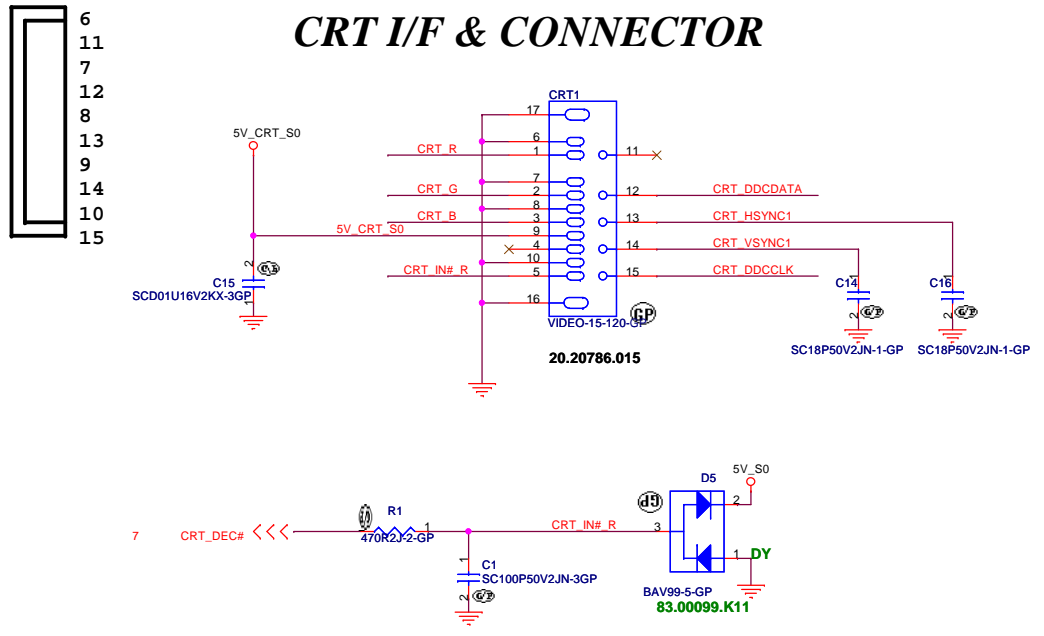
Layout Note:
Place these resistors
close to the CRT-out
connector

Ferrite bead impedance: 10 ohm@100MHz



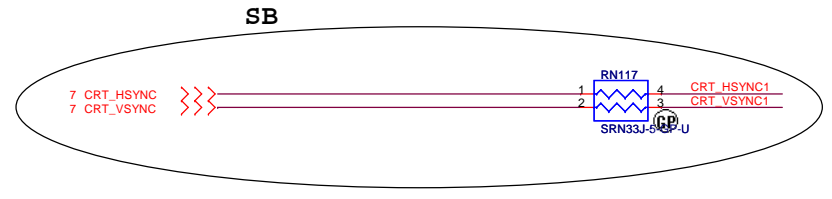
Layout Note:
* Must be a ground return path between this ground and the ground on the VGA connector.
Pi-filter & 150 Ohm pull-down resistors should be as close as to CRT CONN. RGB will hit 75 Ohm first, pi-filter, then CRT CONN.

CRT I/F & CONNECTOR

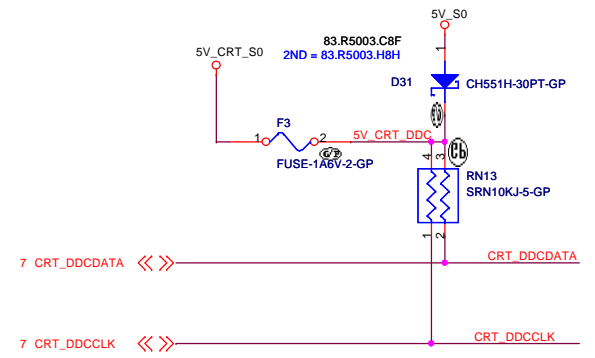


Hsync & Vsync level shift

For System CRT



DDC_CLK & DATA level shift



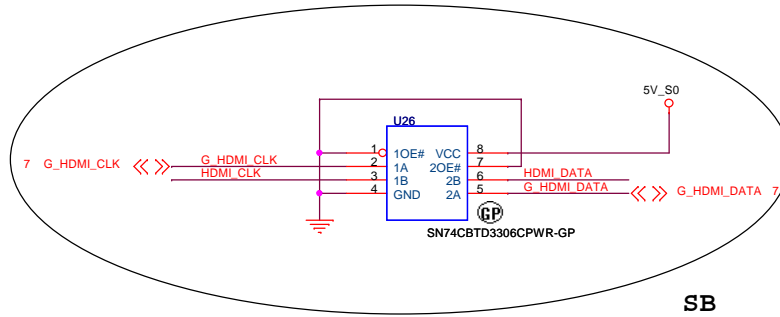
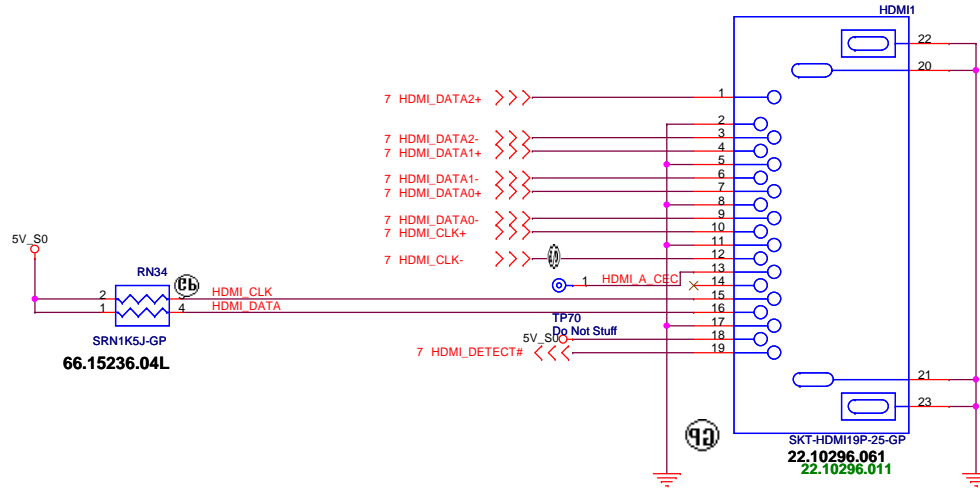
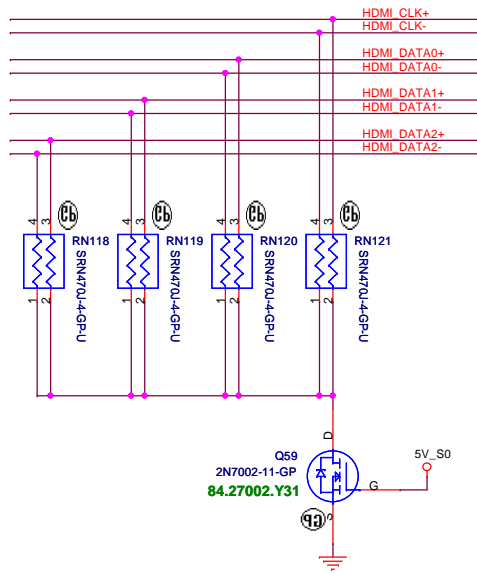
DIS CRT

緯創資通 Wistron Corporation
21F, 88, Sec.1, Hsin Tai Wu Rd., Hsichih,
Taipei Hsien 221, Taiwan, R.O.C.

Title: **CRT CONN**

Size	Document Number	Rev
	JM41 DIS CRT BD	SA

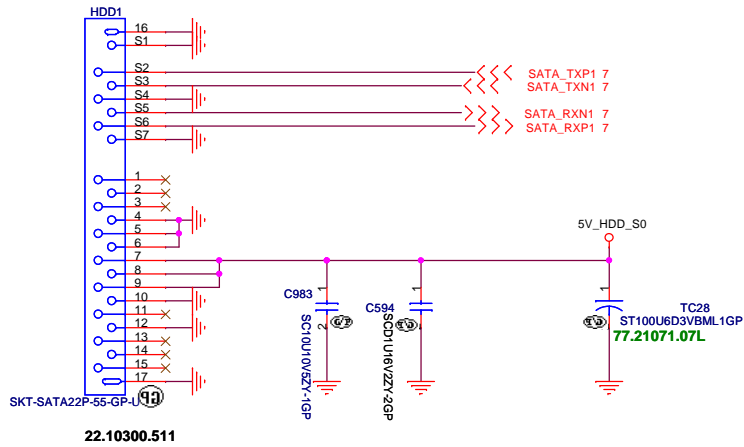
Date: Tuesday, March 10, 2009 Sheet 2 of 8



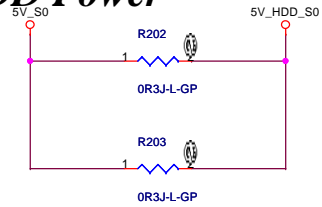
DIS CRT

 Wistron Corporation 21F, 88, Sec.1, Hsin Tai Wu Rd., Hsichih, Taipei Hsien 221, Taiwan, R.O.C.	
HDMI CONN	
JM41 DIS CRT BD	
Size	Document Number
Date: Tuesday, March 10, 2009	Sheet 3 of 8
Rev	SA

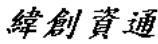
SATA Connector



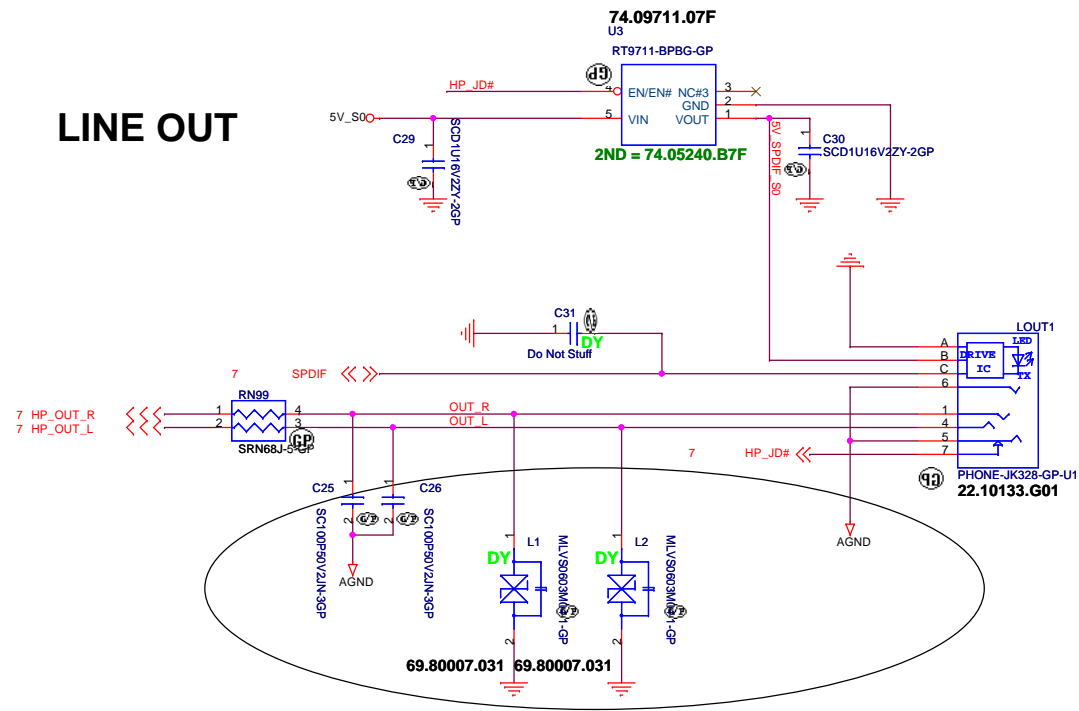
HDD Power



DIS CRT

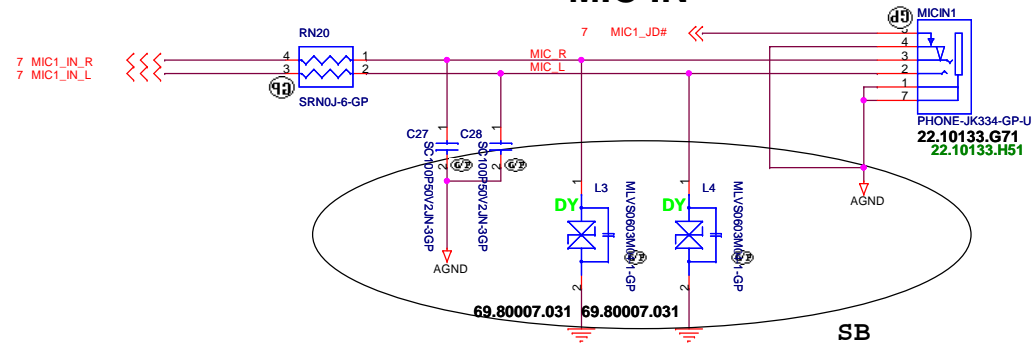
 Wistron Corporation 21F, 88, Sec.1, Hsin Tai Wu Rd., Hsichih, Taipei Hsien 221, Taiwan, R.O.C.	
Title	
HDD CONN	
Size	Document Number
	JM41_DIS_CRT_BD
Date: Tuesday, March 10, 2009	Rev SA
Sheet 4	of 8

LINE OUT

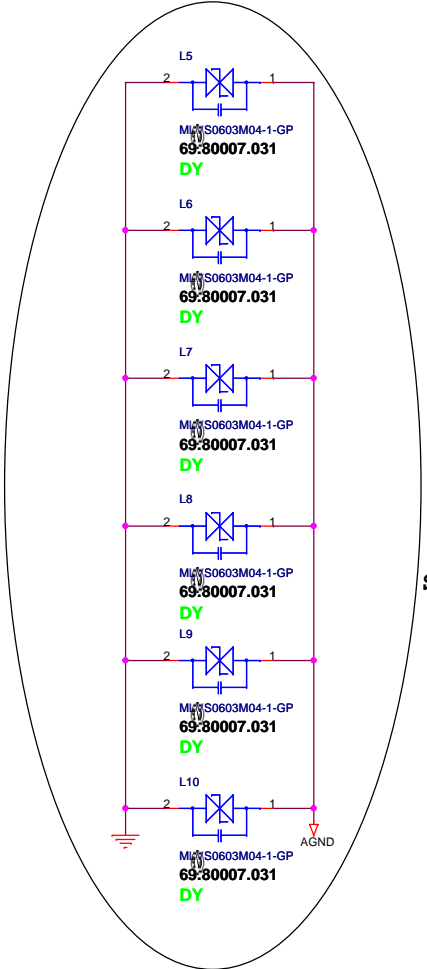


SB

MIC IN



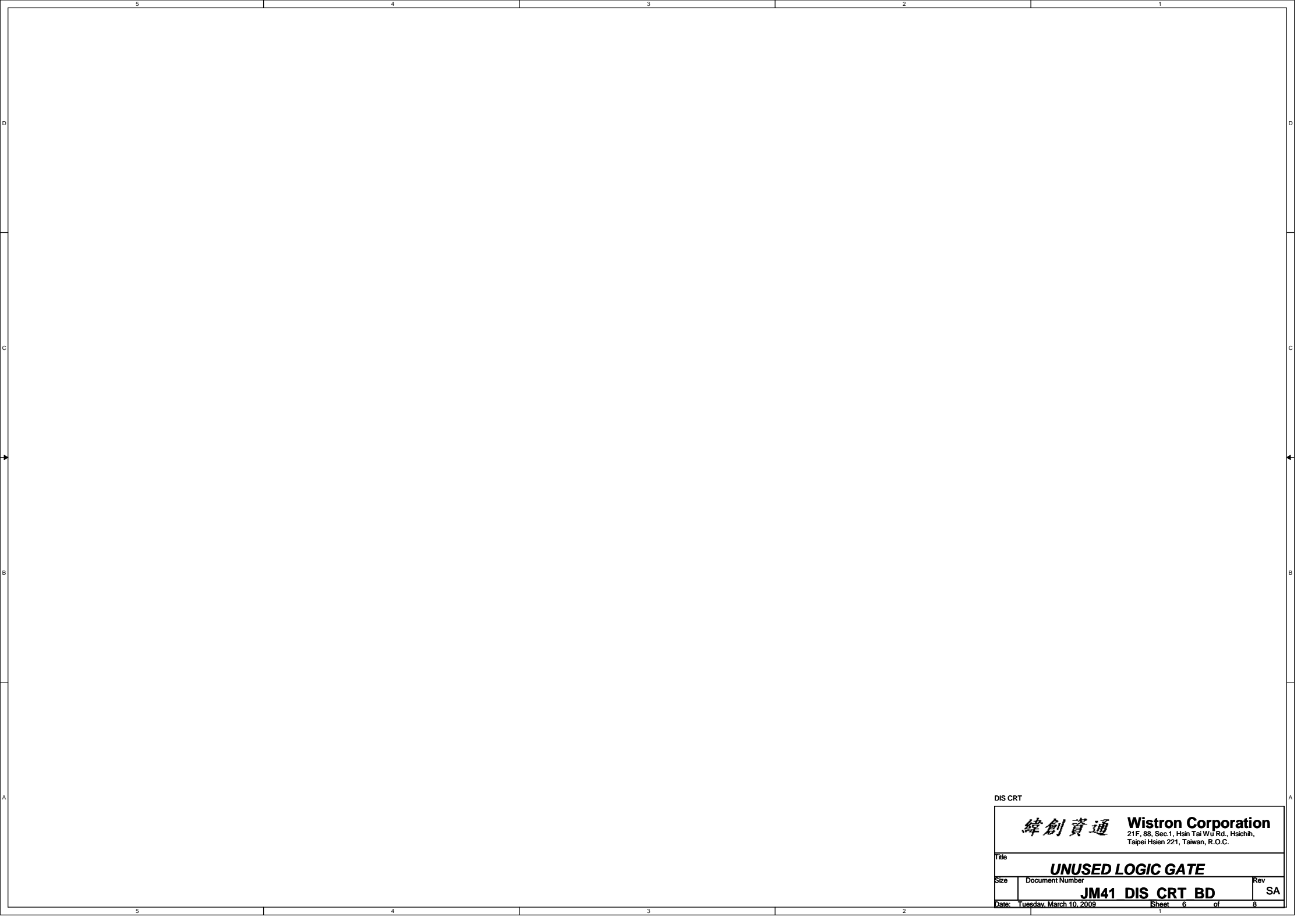
SB



SB

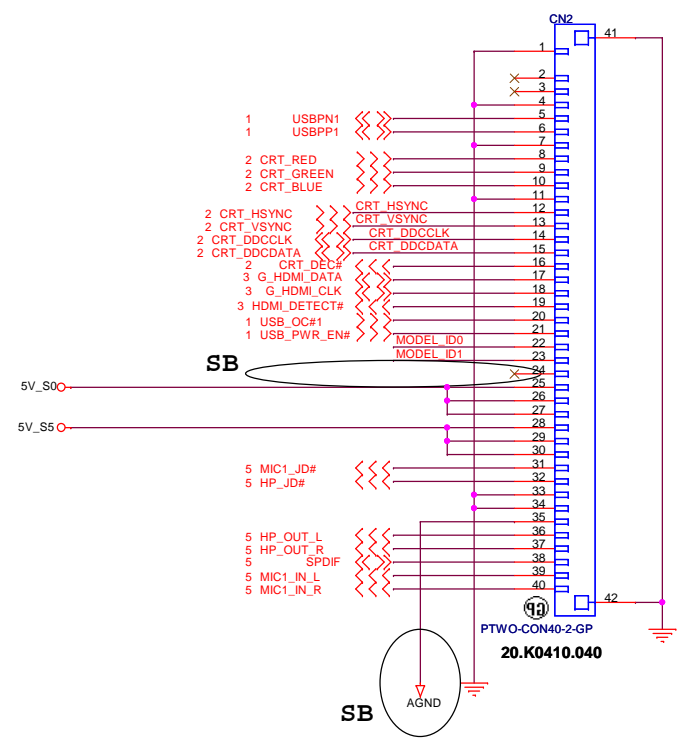
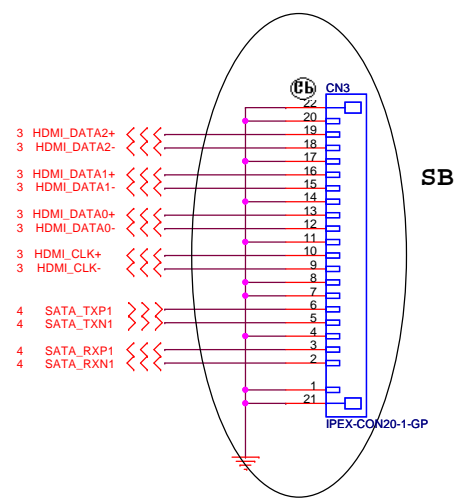
DIS CRT

		Wistron Corporation 21F, 88, Sec.1, Hsin Tai Wu Rd., Hsichih, Taipei Hsien 221, Taiwan, R.O.C.	
AUDIO JACK			
Size	Document Number	Rev	SA
JM41 DIS CRT BD			
Date: Tuesday, March 10, 2009	Sheet 5	of 8	



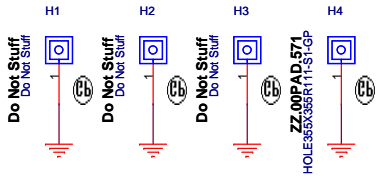
DIS CRT

緯創資通			Wistron Corporation		
21F, 88, Sec.1, Hsin Tai Wu Rd., Hsichih, Taipei Hsien 221, Taiwan, R.O.C.			21F, 88, Sec.1, Hsin Tai Wu Rd., Hsichih, Taipei Hsien 221, Taiwan, R.O.C.		
Title					
UNUSED LOGIC GATE					
Size	Document Number				Rev
	JM41 DIS CRT BD				SA
Date: Tuesday, March 10, 2009			Sheet 6 of 8		

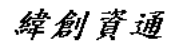


DIS CRT

緯創資通		Wistron Corporation	
21F, 88, Sec.1, Hsin Tai Wu Rd., Hsichih, Taipei Hsien 221, Taiwan, R.O.C.			
CRT BD CONN			
Title	Document Number		Rev
	JM41 DIS CRT BD		SA
Date: Tuesday, March 10, 2009	Sheet	7 of	8



DIS CRT

 Wistron Corporation 21F, 88, Sec.1, Hsin Tai Wu Rd., Hsichih, Taipei Hsien 221, Taiwan, R.O.C.	
EMI/Spring/Boss	
Size	Document Number
JM41 DIS CRT BD	
Date: Tuesday, March 10, 2009	Sheet 8 of 8
Rev	SA